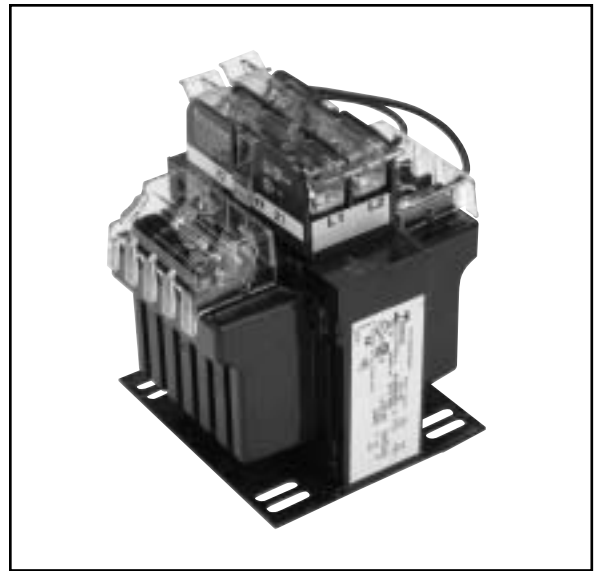


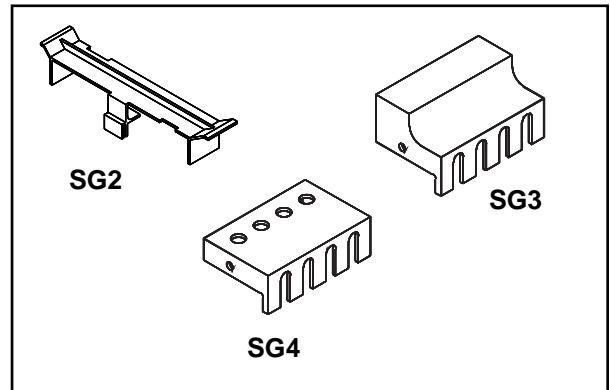
Optional 'Finger Safe' Terminal Covers

- ➔ One piece molded design for easy installation and removal.
- ➔ Molded from strong, yet flexible 'Lexan' polyester plastic, which will not break or chip.
- ➔ Clear, see-through design allows for maximum visibility of both fuse and/or terminal connections.
- ➔ No extra parts like mounting brackets or screws ensure you always have the correct tools for installation or removal.
- ➔ Available in several styles to facilitate fusing or non-fusing options.
- ➔ Retrofittable with all Control Transformers up to 1000 VA (look for the "retrofitable" notation on transformer box labels).



Control Transformer c/w optional Terminal Covers

Finger Safe Terminal Covers	
Packaged Finger Safe Terminal Covers	P/N (box of 20)
(1) Safety Puller - for primary fuse blocks	SG2
(2) Domed Terminal Cover (for fused secondary)	SG3
(3) Terminal Cover (for unfused primary and/or secondary terminals)	SG4



Optional Terminal Covers

